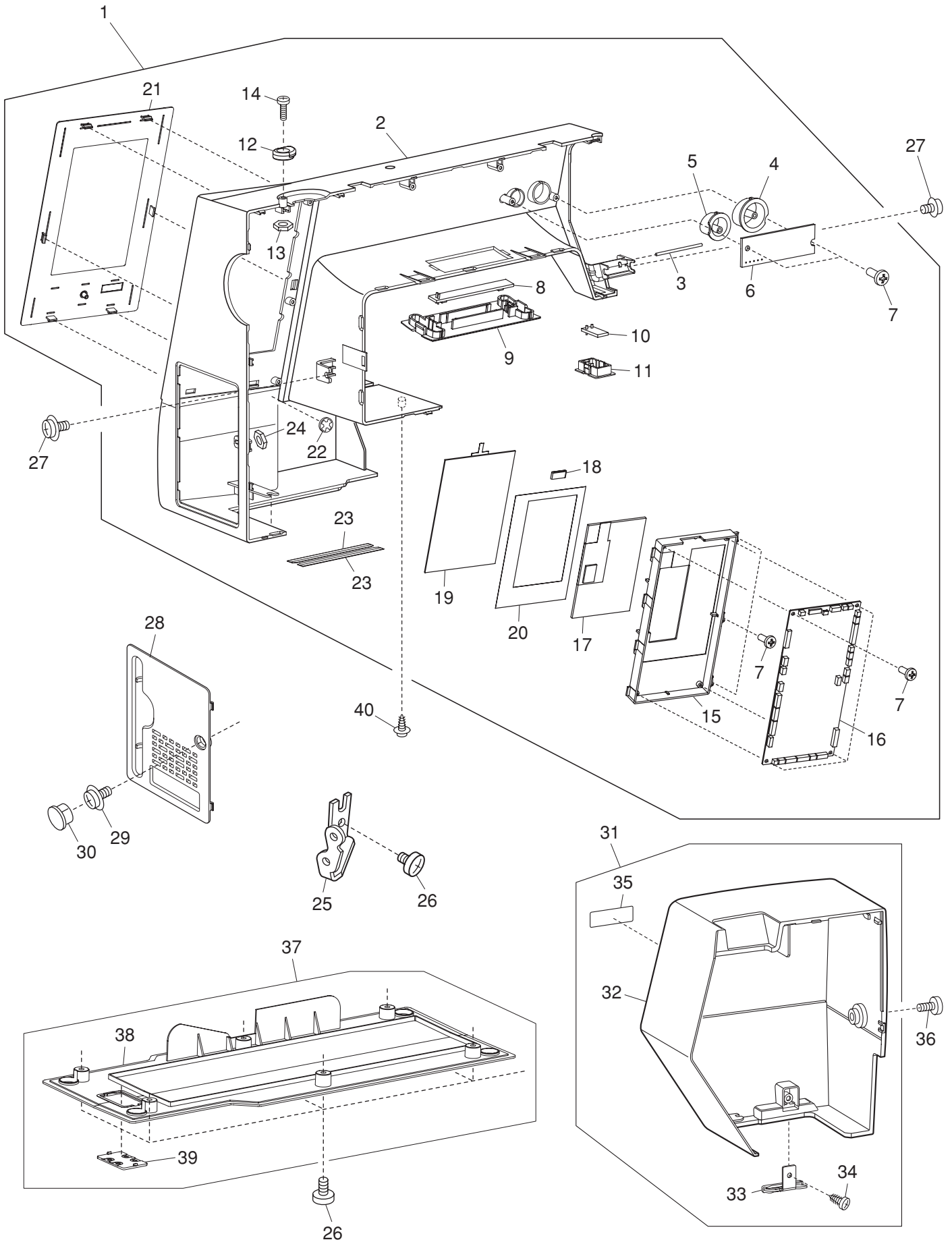


PARTS LIST

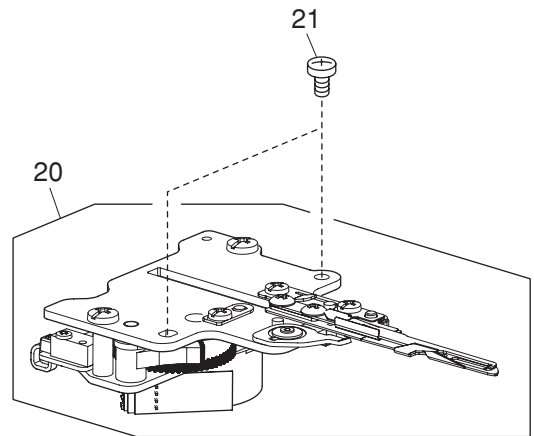
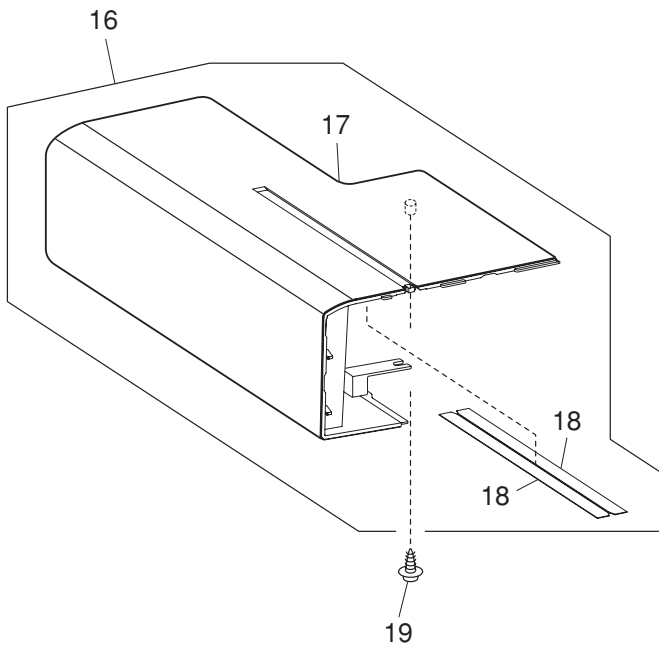
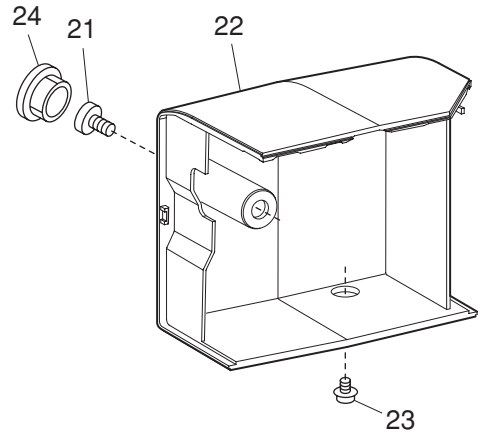
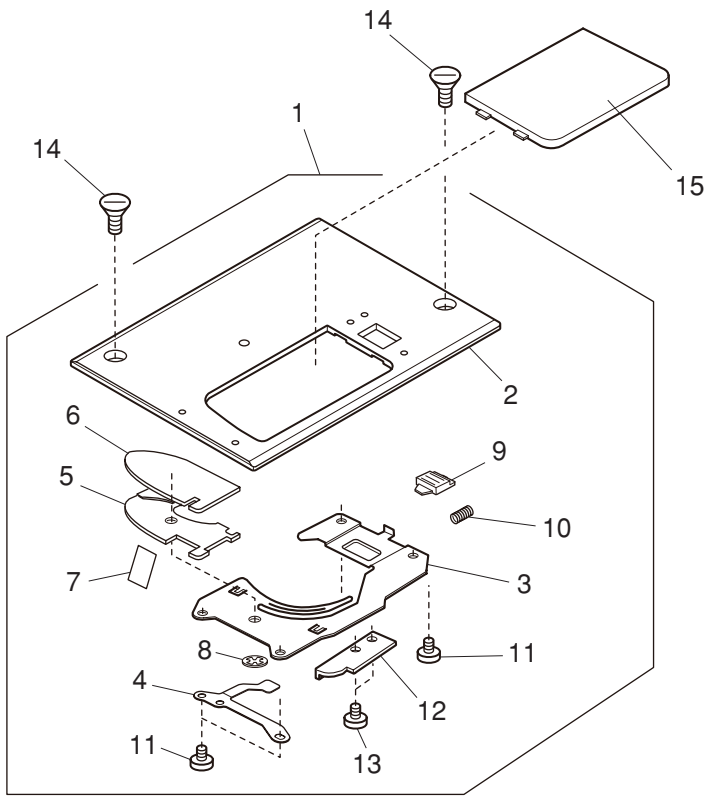
PARTS LIST



PARTS LIST

| KEY NO. | PARTS NO. | DESCRIPTION |
|------------|--------------|---|
| 1 | 864629601 | Front cover (unit) |
| 2 | 864055A05 | Front cover |
| 3 | 639075004 | Thread guide |
| 4 | 864056A01 | Start/stop button |
| 5 | 864057A02 | Button 1 |
| 6 | 809510102 | Printed circuit board F (unit) |
| 7 | 000120203 | Setscrew 3x8 (B) |
| 8 | 858502114 | Printed circuit board L1 (unit) |
| 9 | 858106000 | LED cover 2 |
| 10 | 858511910 | Printed circuit board L2 (unit) |
| 11 | 860167006 | Lamp cover 2 |
| 12 | 846177108 | Bobbin winder stopper |
| 13 | 000061205 | Nut 4-3-7 |
| 14 | 000101828 | Setscrew 4x16 |
| 15 | 861070015 | Printed circuit board A case |
| 16 | 864425030 | Printed circuit board A (unit) |
| 17 | 863523003 | LCD (unit) |
| 18 | 861512003 | Ferrite core |
| 19 | 861505106 | Touch panel (unit) |
| 20 | 863126A11 | Touch panel sheet |
| 21 | 864064F01 | Ornamental plate |
| 22 | 000014007 | Snap ring CS-4 |
| 23 | 856036105 | Carriage window sheet 2 |
| 24 | 000063104 | Nut 3-2-5.5 |
| 25 | 639080002 | Front cover set plate |
| 26 | 000081005 | Setscrew 4x8 |
| 27 | 000115205 | Setscrew TP 4x6 |
| 28 | 864059006 | Belt cover |
| 29 | 000114709 | Setscrew TP 3x6 |
| 30 | 745033002 | Cap |
| 31 | 864631020 | Face plate (unit) (U.S.A.) (Canada) |
| | 864631019 | Face plate (unit) (Australia) (UK) (Continental Europe) |
| 32 | 864060A10 | Face plate |
| 33 | 832508006 | Thread cutter (unit) |
| 34 | 000161103 | Setscrew 3x6 (B) |
| 35 | 100517008 | Caution sticker (U.S.A.) (Canada) |
| 36 | 000103509 | Setscrew 4x10 |
| 37 | 864633000 | Base plate (unit) |
| 38 | 864063003 | Base plate |
| 39 | 850156001 | Cover lid |
| 40 | 000109000 | Setscrew 3x6 |

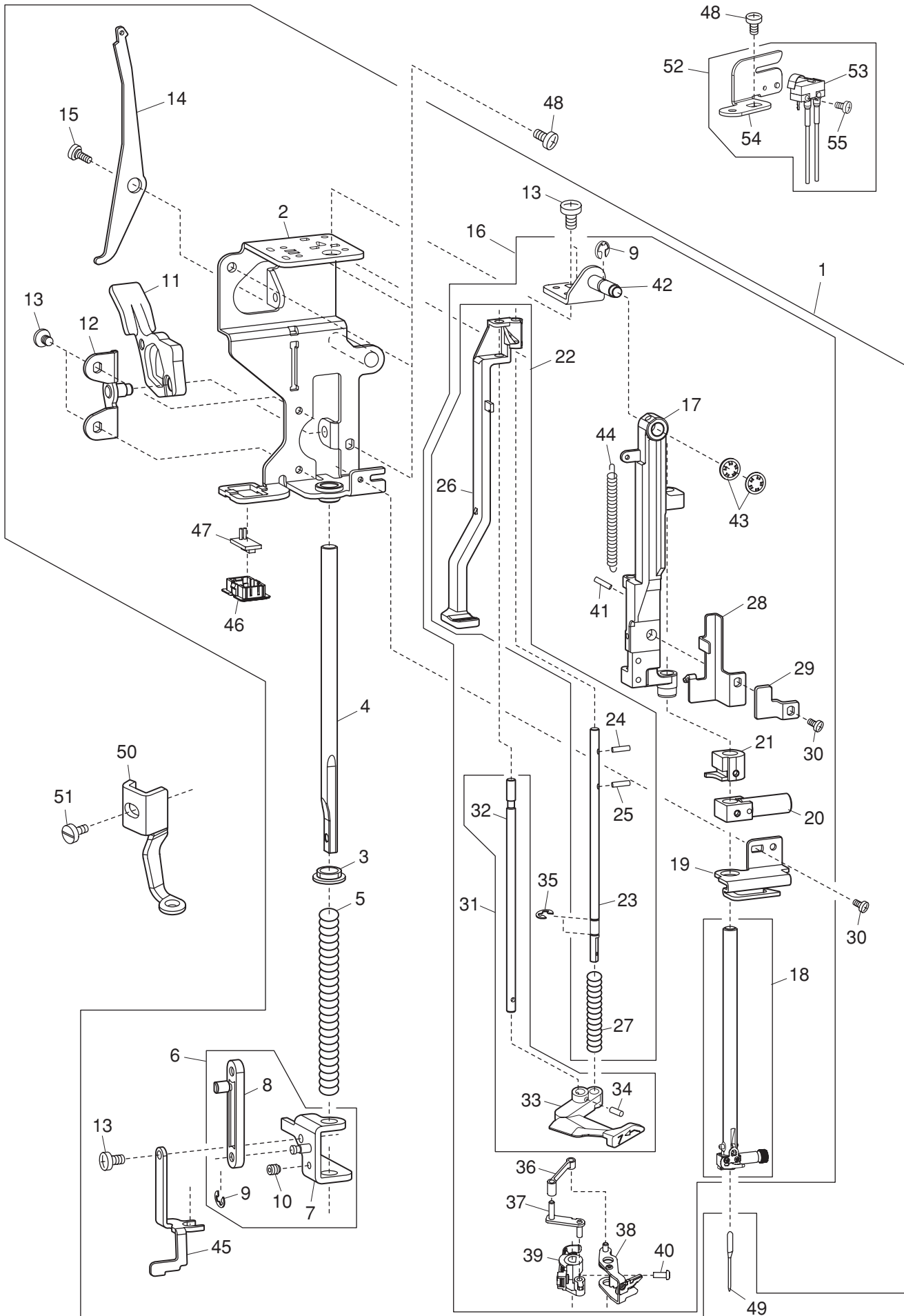
PARTS LIST



PARTS LIST

| KEY NO. | PARTS NO. | DESCRIPTION |
|------------|--------------|---------------------------------|
| 1 | 864615017 | Needle plate (unit) |
| 2 | 864024002 | Needle plate |
| 3 | 809133004 | Hook cover plate supporter |
| 4 | 809184000 | Spring |
| 5 | 809134005 | Hook cover plate supporter base |
| 6 | 809135006 | Guide holder |
| 7 | 809137008 | Cutter |
| 8 | 000014306 | Snap ring CS-3 |
| 9 | 825016000 | Hook cover plate release button |
| 10 | 825017001 | Spring |
| 11 | 820374004 | Setscrew 2x2.3 |
| 12 | 864025003 | Rotation stopper |
| 13 | 000163703 | Setscrew 2x3.5 |
| 14 | 681009101 | Setscrew |
| 15 | 809136100 | Hook cover plate |
| 16 | 864632009 | Bed cover (unit) |
| 17 | 864061012 | Bed cover |
| 18 | 856009109 | Carriage window sheet 1 |
| 19 | 000109000 | Setscrew 3x6 |
| 20 | 864616007 | Thread cutter (unit) |
| 21 | 000081005 | Setscrew 4x8 |
| 22 | 864062002 | Thread cutter cover |
| 23 | 000115401 | Setscrew TP 3x4 |
| 24 | 745033002 | Cap |

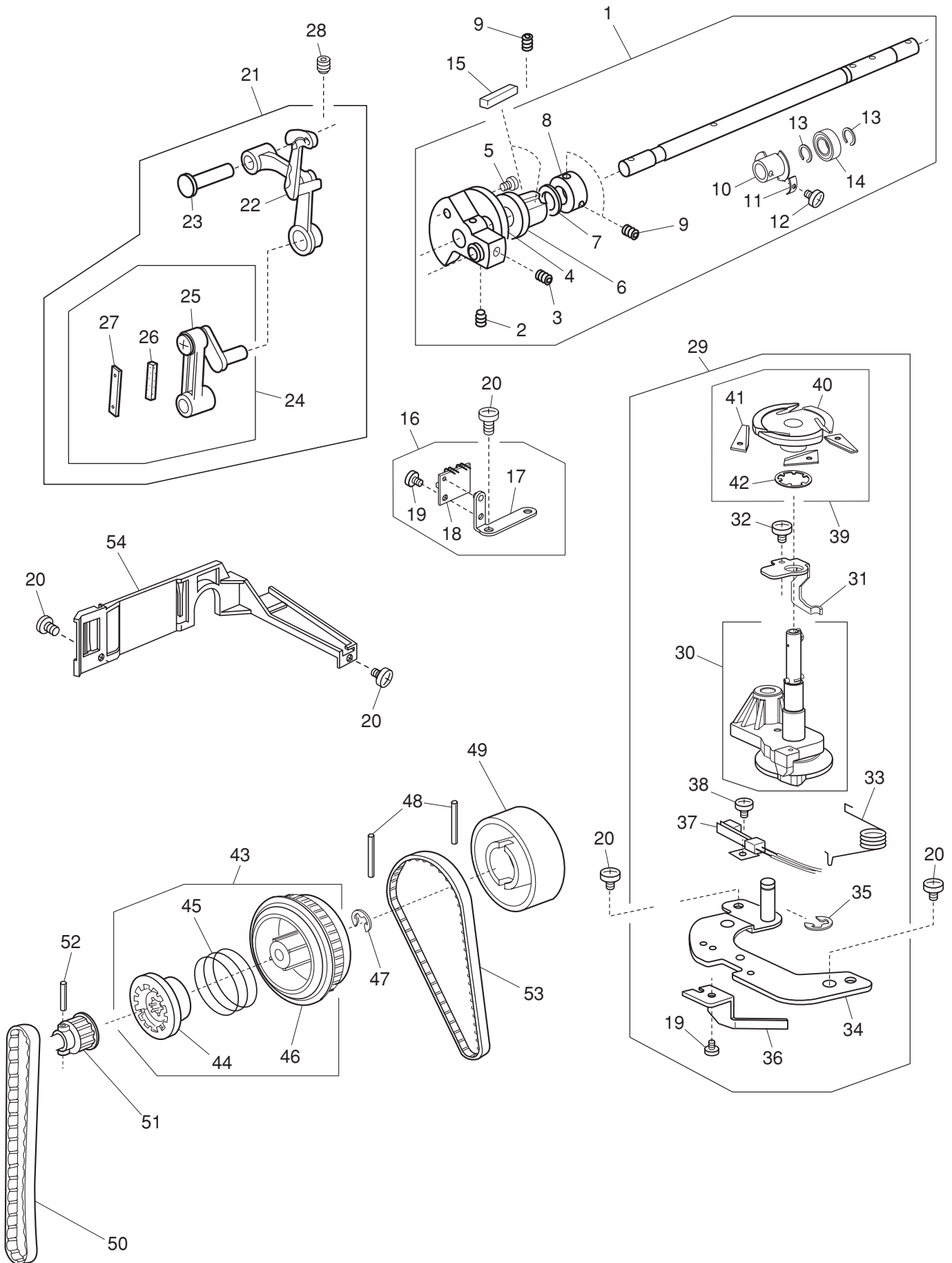
PARTS LIST



PARTS LIST

| KEY NO. | PARTS NO. | DESCRIPTION |
|---------|-----------|--------------------------------------|
| 1 | 864602103 | Presser bar base plate (unit) |
| 2 | 864003005 | Presser bar base plate |
| 3 | 864004006 | Presser bar bushing |
| 4 | 827021004 | Presser bar |
| 5 | 864005007 | Presser bar spring |
| 6 | 864603001 | Presser bar connecting stud (unit) |
| 7 | 864006008 | Presser bar connecting stud |
| 8 | 861028007 | Presser bar link |
| 9 | 000002507 | Snap ring E-4 |
| 10 | 000111500 | Hexagonal socket screw 4x8 |
| 11 | 861025004 | Presser foot lifter |
| 12 | 864007009 | Presser foot lifter set plate |
| 13 | 000101404 | Setscrew 4x6 |
| 14 | 861067008 | Tension release lever |
| 15 | 859273002 | Setscrew |
| 16 | 864604105 | Needle bar supporter (unit) |
| 17 | 858250000 | Needle bar supporter |
| 18 | 858538108 | Needle bar (unit) |
| 19 | 864009001 | Needle drop adjusting plate |
| 20 | 301504104 | Needle bar connecting stud (unit) |
| 21 | 858540000 | Rotation pin stopper (unit) |
| 22 | 864605003 | Needle threader shaft (unit) |
| 23 | 858255108 | Needle threader shaft |
| 24 | 000265500 | Guide pin E-2x12-CH |
| 25 | 000265603 | Guide pin E-2x6-CH |
| 26 | 858256006 | Needle threader lever |
| 27 | 863128004 | Spring |
| 28 | 858272008 | Needle threader lever supporter |
| 29 | 863131000 | Needle threader lever supporter 2 |
| 30 | 000078319 | Setscrew 3x6 |
| 31 | 862625106 | Threader supporter shaft (unit) |
| 32 | 858259009 | Threader supporter shaft |
| 33 | 814043105 | Threader guide |
| 34 | 000022204 | Spring pin 2x6 (K) |
| 35 | 000001207 | Snap ring E-2.5 |
| 36 | 858265008 | Link plate 1 |
| 37 | 858266009 | Link plate 2 |
| 38 | 862626026 | Threader guide plate (unit) |
| 39 | 862627108 | Hook holder (unit) |
| 40 | 000230403 | Setscrew 2x5 |
| 41 | 000125208 | Guide pin D-2x10-CH |
| 42 | 864011006 | Needle bar supporter adjusting plate |
| 43 | 000013903 | Snap ring CS-5 |
| 44 | 858258019 | Spring |
| 45 | 864012007 | Needle threader limiter plate |
| 46 | 860167006 | Lamp cover 2 |
| 47 | 859525415 | Printed circuit board L2 (unit) |
| 48 | 000081005 | Setscrew 4x8 |
| 49 | 813404013 | Stretch needle (Blue) |
| 50 | 852890000 | Embroidery foot P |
| 51 | 660106001 | Setscrew |
| 52 | 864606004 | Presser foot lifter switch (unit) |
| 53 | 652520125 | Micro switch (unit) |
| 54 | 864013008 | Presser foot lifter switch set plate |
| 55 | 000102900 | Setscrew 2x8 |

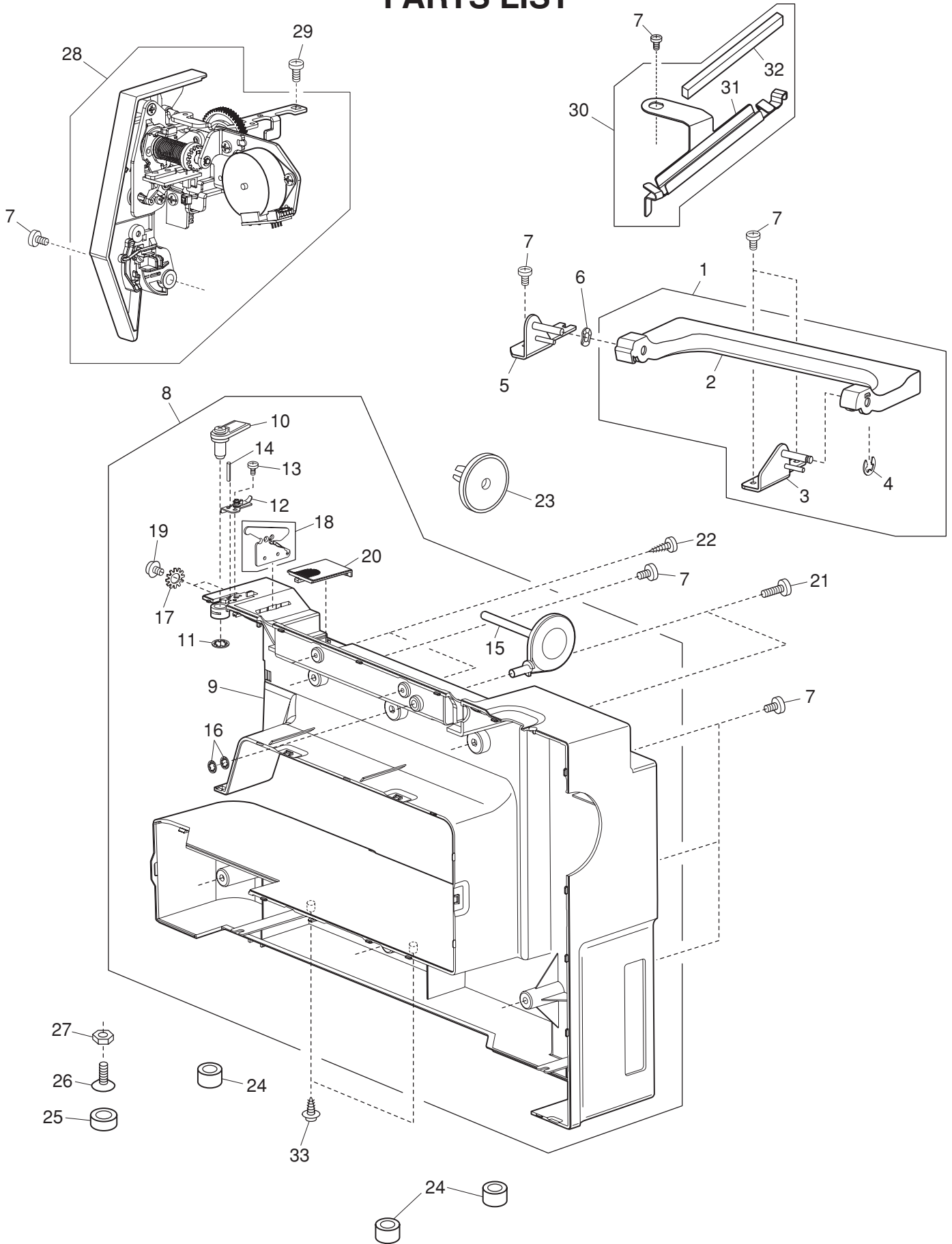
PARTS LIST



PARTS LIST

| KEY NO. | PARTS NO. | DESCRIPTION |
|------------|--------------|-----------------------------------|
| 1 | 864601009 | Upper shaft (unit) |
| 2 | 000111706 | Hexagonal socket screw 5x8 |
| 3 | 000110901 | Hexagonal socket screw 5x4 |
| 4 | 832068009 | Presser foot lifting cam |
| 5 | 000078319 | Setscrew 3x6 |
| 6 | 670079201 | Upper shaft front bushing |
| 7 | 000040105 | Washer |
| 8 | 767077006 | Ring |
| 9 | 000111304 | Hexagonal socket screw 5x5 |
| 10 | 862002008 | Upper shaft shield plate |
| 11 | 859033008 | Washer |
| 12 | 000080406 | Setscrew 3x10 |
| 13 | 000032702 | Snap ring crescent |
| 14 | 767178101 | Ball bearing |
| 15 | 731312005 | Felt |
| 16 | 861620304 | Upper shaft sensor (unit) |
| 17 | 861039001 | Sensor set plate |
| 18 | 807505407 | Printed circuit board P (unit) |
| 19 | 000101105 | Setscrew 3x4 |
| 20 | 000081005 | Setscrew 4x8 |
| 21 | 864639006 | Thread take-up lever (whole unit) |
| 22 | 820511304 | Thread take-up lever (unit) |
| 23 | 508048009 | Thread take-up lever pin |
| 24 | 846615103 | Needle bar crank (unit) |
| 25 | 843543007 | Needle bar crank pin (unit) |
| 26 | 650040005 | Felt |
| 27 | 650041006 | Leaf spring |
| 28 | 000111201 | Hexagonal socket screw 4x4 |
| 29 | 864618102 | Bobbin winder (unit) |
| 30 | 864504001 | Bobbin winder |
| 31 | 861096006 | Clutch lever |
| 32 | 000120203 | Setscrew 3x8 (B) |
| 33 | 861091001 | Bobbin winder arm spring |
| 34 | 861092105 | Bobbin winder set plate |
| 35 | 000001609 | Snap ring E-5 |
| 36 | 861098008 | Guide plate |
| 37 | 856512100 | Leaf switch (unit) |
| 38 | 000081706 | Setscrew 2.5x5 |
| 39 | 809619009 | Thread cutter holder (unit) |
| 40 | 809144008 | Thread cutter holder |
| 41 | 822032003 | Thread cutter |
| 42 | 000014409 | Snap ring CS-8 |
| 43 | 858647008 | Belt wheel (unit) |
| 44 | 858053001 | Clutch ring |
| 45 | 502065004 | Clutch spring |
| 46 | 858054002 | Belt wheel |
| 47 | 000030009 | Snap ring E-10 |
| 48 | 000024206 | Spring pin 3x30 |
| 49 | 858055302 | Handwheel |
| 50 | 846098104 | Timing belt 178 |
| 51 | 858052000 | Upper shaft gear |
| 52 | 000004303 | Spring pin 3x20 |
| 53 | 858118005 | Timing belt 168 |
| 54 | 861078002 | Cord guide (rear) |

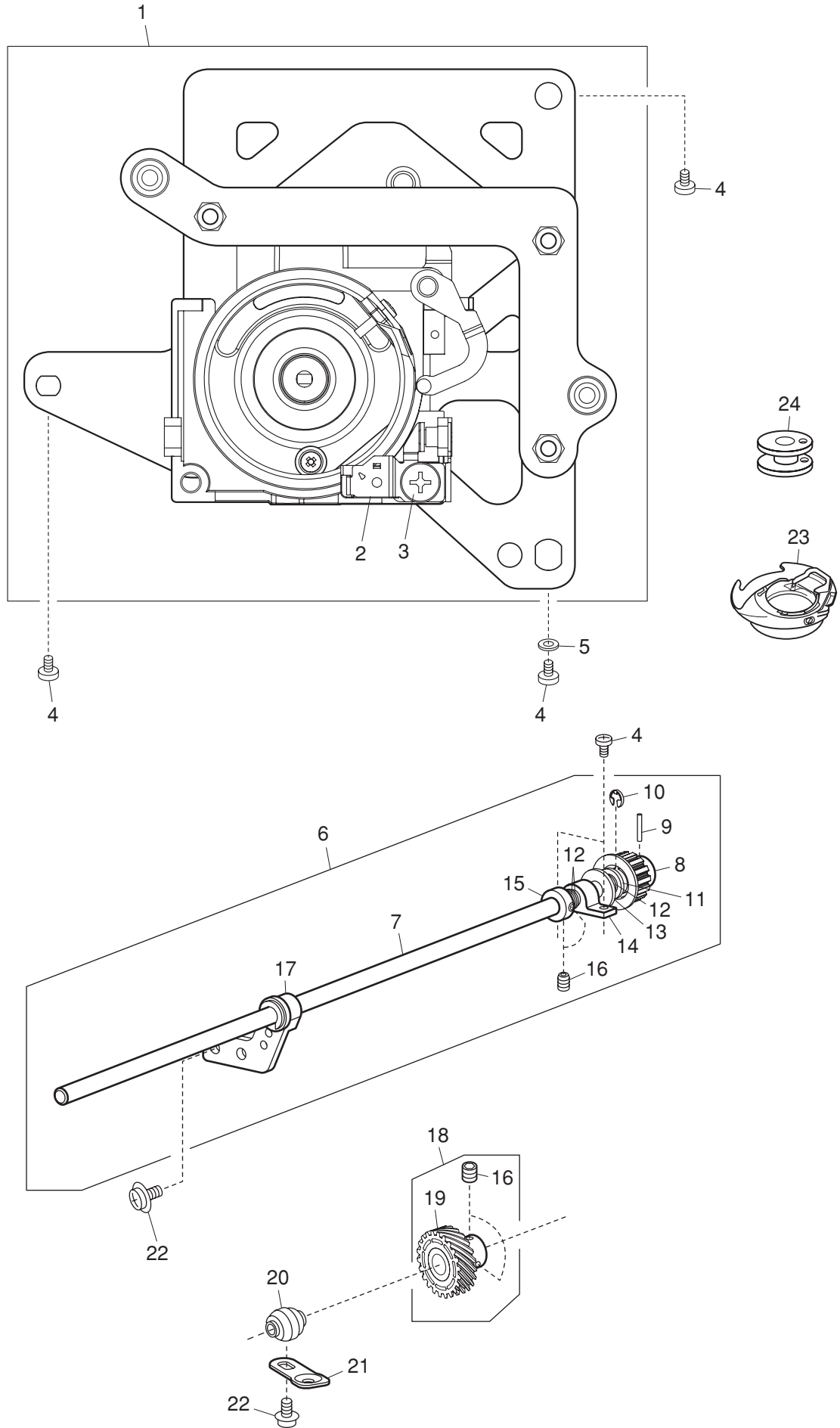
PARTS LIST



PARTS LIST

| KEY NO. | PARTS NO. | DESCRIPTION |
|------------|--------------|-------------------------------------|
| 1 | 864620004 | Carrying handle (unit) |
| 2 | 864029007 | Carrying handle |
| 3 | 864031002 | Carrying handle supporter (rear) |
| 4 | 000001609 | Snap ring E-5 |
| 5 | 864030001 | Carrying handle supporter (front) |
| 6 | 000116206 | Washer |
| 7 | 000081005 | Setscrew 4x8 |
| 8 | 864628518 | Rear cover (unit) |
| 9 | 864054A12 | Rear cover |
| 10 | 650503355 | Thread guide (unit) |
| 11 | 000014409 | Snap ring CS-8 |
| 12 | 834555107 | Top cover thread guide plate (unit) |
| 13 | 000162001 | Setscrew 2.6x5 |
| 14 | 000020202 | Spring pin 2x10 |
| 15 | 809027004 | Spool pin |
| 16 | 000013800 | Snap ring CS-6 |
| 17 | 000006903 | Washer |
| 18 | 864634001 | Pre-tension thread guide (unit) |
| 19 | 000115401 | Setscrew TP 3x4 |
| 20 | 864066006 | Oiling plate |
| 21 | 000101806 | Setscrew 4x16 |
| 22 | 000161309 | Setscrew 3x12 |
| 23 | 822020503 | Spool holder (large) |
| 24 | 647009002 | Bed rubber foot |
| 25 | 735002001 | Rubber foot |
| 26 | 000274007 | Setscrew 5x30 |
| 27 | 000061412 | Nut 5-3-8 |
| 28 | 864609203 | Thread tension (unit) |
| 29 | 000103509 | Setscrew 4x10 |
| 30 | 864638005 | Oiling guide (unit) |
| 31 | 864075008 | Oiling guide |
| 32 | 763033019 | String |
| 33 | 000109000 | Setscrew 3x6 |

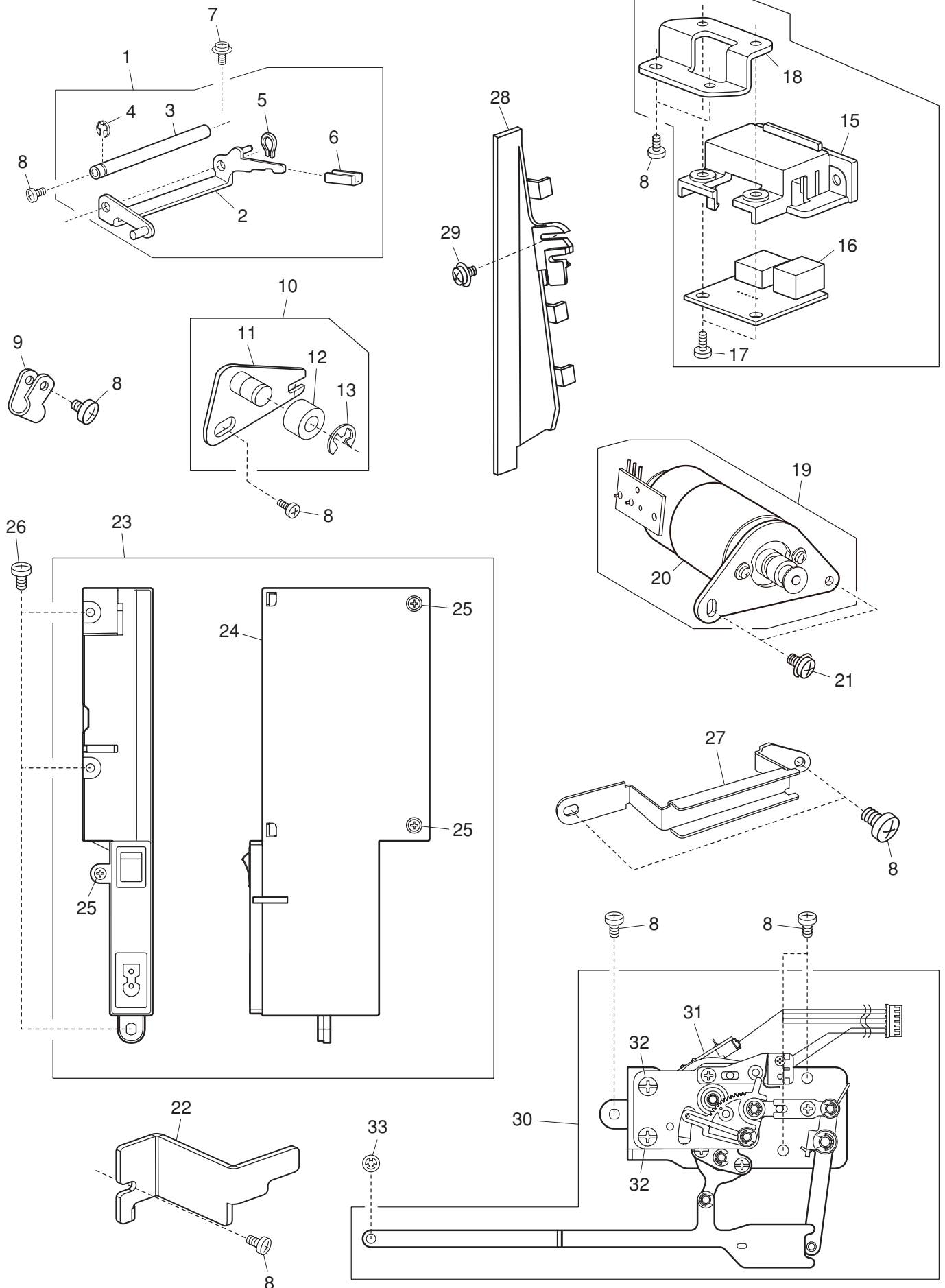
PARTS LIST



PARTS LIST

| KEY NO. | PARTS NO. | DESCRIPTION |
|------------|--------------|-------------------------------|
| 1 | 864613004 | Hook race (unit) |
| 2 | 846632209 | Bobbin holder stopper (unit) |
| 3 | 000160504 | Setscrew 4x12 |
| 4 | 000081005 | Setscrew 4x8 |
| 5 | 000070506 | Washer 4 |
| 6 | 864614108 | Lower shaft (unit) |
| 7 | 864022000 | Lower shaft |
| 8 | 650073007 | Lower shaft gear |
| 9 | 000004200 | Spring pin 3x18 |
| 10 | 000002806 | Snap ring E-6 |
| 11 | 858177002 | Lower shaft washer |
| 12 | 000038502 | Washer |
| 13 | 823110009 | Felt |
| 14 | 508120006 | Shaft fixing metal |
| 15 | 820166001 | Lower shaft ring |
| 16 | 000111201 | Hexagonal socket screw 4x4 |
| 17 | 858321003 | Lower shaft supporter |
| 18 | 850687109 | Lower shaft gear (unit) |
| 19 | 808137005 | Lower shaft gear |
| 20 | 732034003 | Lower shaft bushing (rear) |
| 21 | 809042005 | Lower shaft bushing set plate |
| 22 | 000115607 | Setscrew TP 4x8 |
| 23 | 846652504 | Bobbin holder (unit) |
| 24 | 102261103 | Bobbin |

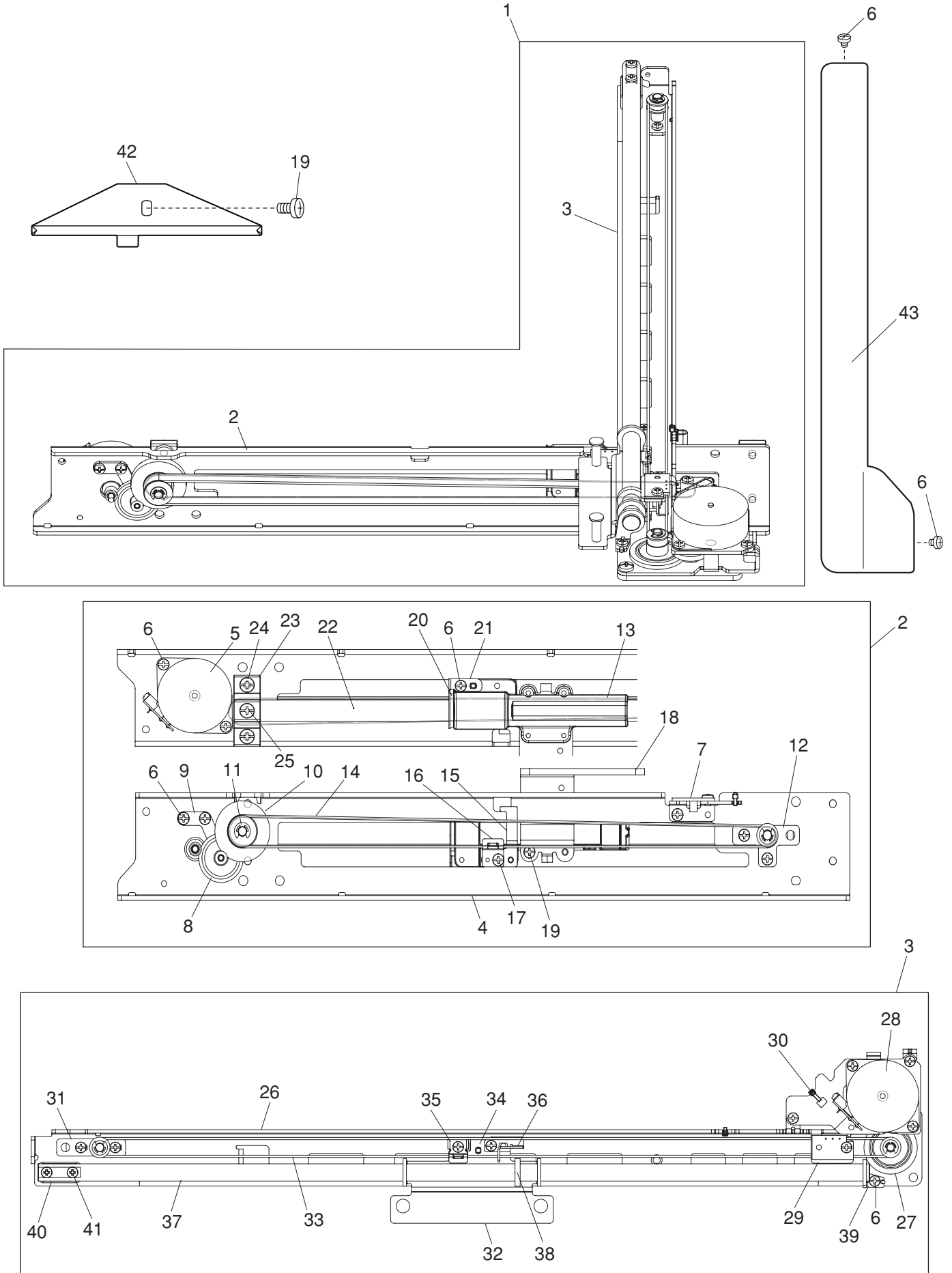
PARTS LIST



PARTS LIST

| KEY NO. | PARTS NO. | DESCRIPTION |
|------------|--------------|--|
| 1 | 861616204 | Presser foot actuator arm (unit) |
| 2 | 861035007 | Presser foot actuator arm |
| 3 | 864077000 | Presser foot actuator shaft |
| 4 | 000001609 | Snap ring E-5 |
| 5 | 000014605 | Grip ring 6 |
| 6 | 854145009 | Slider |
| 7 | 000115629 | Setscrew TP 4x8 |
| 8 | 000081005 | Setscrew 4x8 |
| 9 | 000188405 | Nylon clip |
| 10 | 860608004 | Idler (unit) |
| 11 | 860021007 | Idler base |
| 12 | 625217100 | Idler |
| 13 | 000002806 | Snap ring E-6 |
| 14 | 864619000 | Printed circuit board B case (unit) |
| 15 | 861090044 | Printed circuit board B case |
| 16 | 864508201 | Printed circuit board B (unit) |
| 17 | 000103509 | Setscrew 4x10 |
| 18 | 864028006 | Printed circuit board B case set plate |
| 19 | 858639007 | DC motor (unit) |
| 20 | 843518302 | DC motor |
| 21 | 000115607 | Setscrew TP 4x8 |
| 22 | 864078001 | Set plate |
| 23 | 864621005 | Switching power supply (unit) (U.S.A.) (Canada) |
| | 864621304 | Switching power supply (unit) (Australia) (UK) (Continental Europe) |
| 24 | 858119006 | Switching power supply case |
| 25 | 000119704 | Setscrew 3x14 (B) |
| 26 | 000103509 | Setscrew 4x10 |
| 27 | 861089006 | Cord guide |
| 28 | 858145012 | Cord guide plate |
| 29 | 000115607 | Setscrew TP 4x8 |
| 30 | 864610001 | Bobbin thread sensor (unit) |
| 31 | 864611002 | Bobbin thread sensor motor (unit) |
| 32 | 000101404 | Setscrew 4x6 |
| 33 | 000013707 | Snap ring CS-2.4 |

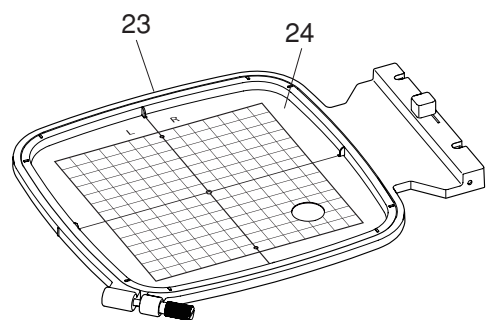
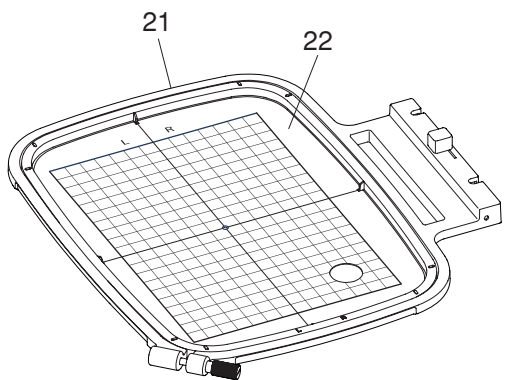
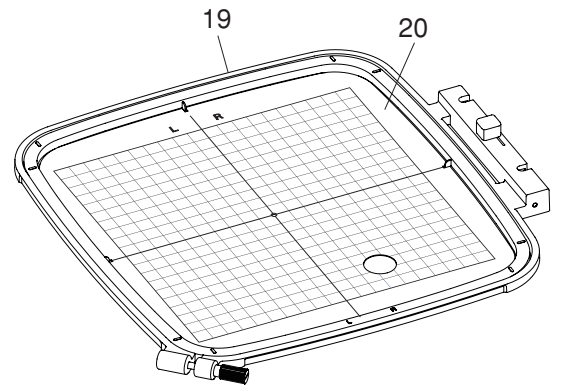
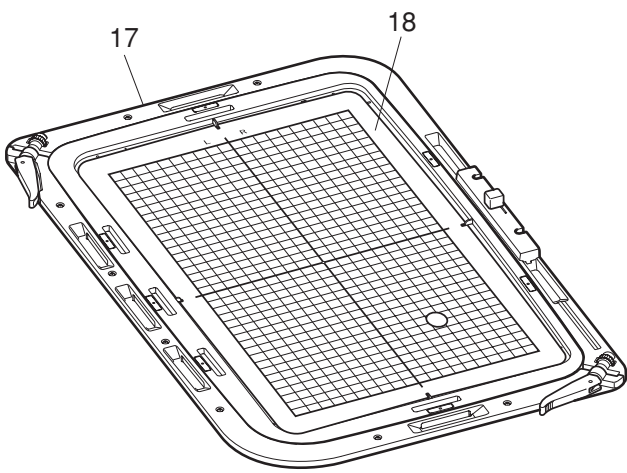
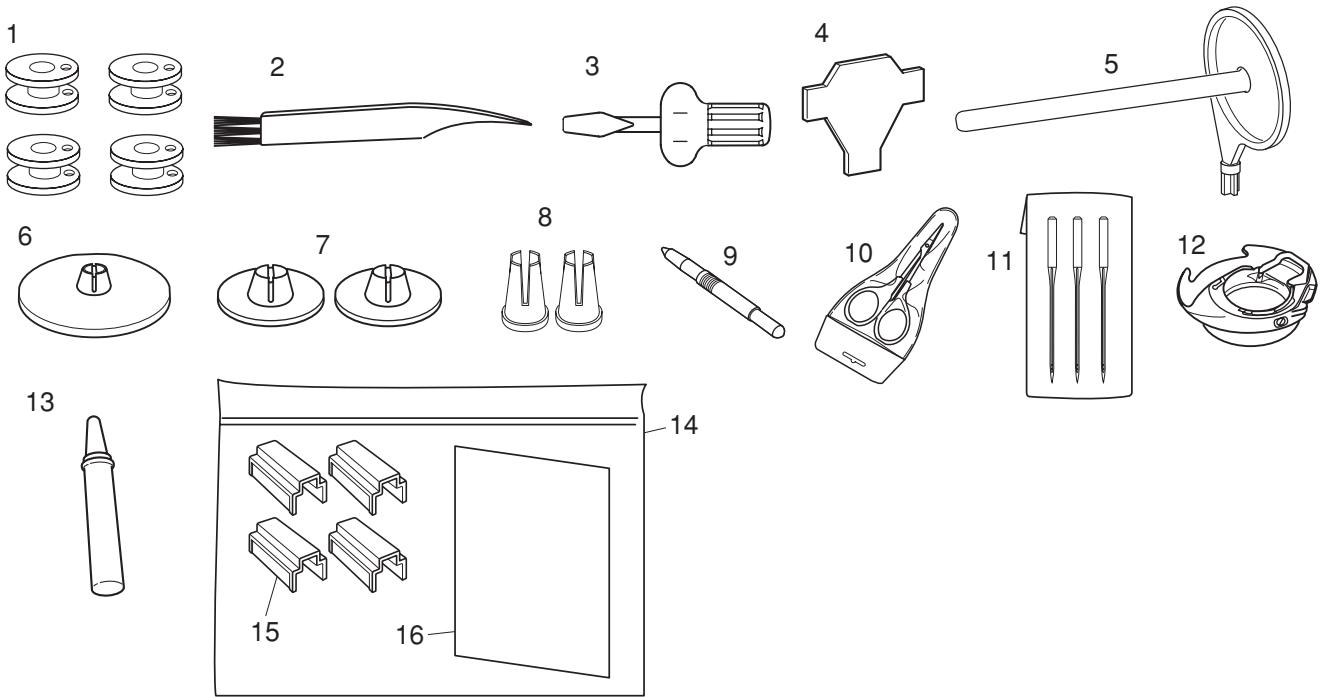
PARTS LIST



PARTS LIST

| KEY NO. | PARTS NO. | DESCRIPTION |
|------------|--------------|-------------------------------|
| 1 | 864641001 | Carriage (unit) |
| 2 | 864642002 | X-carriage (unit) |
| 3 | 864645005 | Y-carriage (unit) |
| 4 | 864091000 | X-carriage base |
| 5 | 864643003 | Stepping motor (unit) |
| 6 | 000101105 | Setscrew 3x4 |
| 7 | 864644004 | X-sensor (unit) |
| 8 | 859542005 | X-gear (unit) |
| 9 | 856041000 | X-gear set plate |
| 10 | 859236003 | Gear |
| 11 | 000002507 | Snap ring E-4 |
| 12 | 864624008 | X-pulley (unit) |
| 13 | 867092001 | X-carriage guide |
| 14 | 864036007 | Syncrobelts 630 |
| 15 | 864037008 | X-belt set plate 1 |
| 16 | 864038009 | X-belt set plate 2 |
| 17 | 000066705 | Setscrew 3x8 |
| 18 | 864082008 | Y-carriage base |
| 19 | 000080406 | Setscrew 3x10 |
| 20 | 823110009 | Felt |
| 21 | 864093002 | Felt holder |
| 22 | 864094003 | X-shaft |
| 23 | 864095004 | X-shaft set plate |
| 24 | 000081005 | Setscrew 4x8 |
| 25 | 000101703 | Setscrew 4x12 |
| 26 | 864083009 | Y-carriage |
| 27 | 864044008 | Gear |
| 28 | 864646006 | Y motor (unit) |
| 29 | 864511001 | Stepping motor harness (unit) |
| 30 | 000053606 | Cord binder |
| 31 | 864627001 | Y-pulley (unit) |
| 32 | 864085001 | Embroidery hoop set plate |
| 33 | 000279208 | Syncrobelts 950 |
| 34 | 856054006 | Y-belt set plate 1 |
| 35 | 856055007 | Y-belt set plate 2 |
| 36 | 856056008 | Y-shielding plate |
| 37 | 864087003 | Y-shaft |
| 38 | 864088004 | Felt |
| 39 | 864089005 | Y-shaft set plate |
| 40 | 864050007 | Y-shaft supporter |
| 41 | 000175306 | Setscrew 3x20 |
| 42 | 864097006 | Y-carriage base |
| 43 | 864090A01 | Carriage cover |

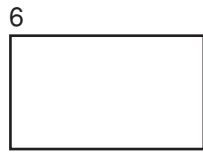
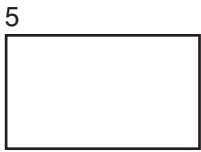
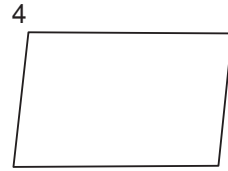
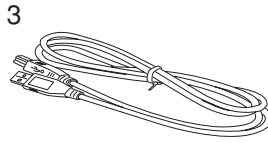
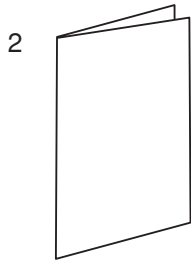
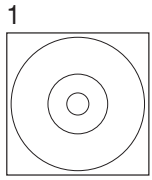
PARTS LIST



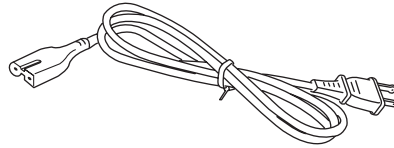
PARTS LIST

| KEY NO. | PARTS NO. | DESCRIPTION |
|------------|--------------|---|
| 1 | 102261103 | Bobbin |
| 2 | 802424004 | Lint brush |
| 3 | 820832005 | Screwdriver (large) |
| 4 | 653802002 | Screwdriver key (for needle plate) |
| 5 | 809041004 | Extra spool pin |
| 6 | 822020503 | Spool holder (large) |
| 7 | 822019509 | Spool holder (small) |
| 8 | 862408008 | Spool holder (special) |
| 9 | 860194002 | Touch panel stylus |
| 10 | 803813203 | Scissors |
| 11 | 852802108 | Needle set (unit) |
| 12 | 846652607 | Bobbin holder (unit) |
| 13 | 859858007 | Bobbin holder cleaner (unit) |
| 14 | 861805305 | Magnetic clamp (unit) |
| 15 | 861805006 | Magnetic clamp |
| 16 | 861826003 | Caution card |
| 17 | 864839008 | Embroidery hoop RE36b |
| 18 | 864839A01 | Template RE36b |
| 19 | 864404000 | Embroidery hoop SQ20b (packed in a box) |
| 20 | 864801A01 | Template SQ20b |
| 21 | 864405001 | Embroidery hoop RE20b (packed in a box) |
| 22 | 864802A01 | Template RE20b |
| 23 | 864406002 | Embroidery hoop SQ14b (packed in a box) |
| 24 | 864803A01 | Template SQ14b |

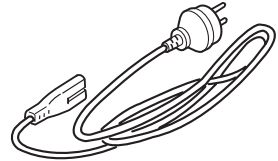
PARTS LIST



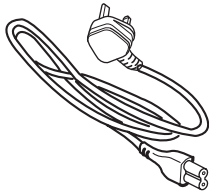
7 (U.S.A.) (Canada)



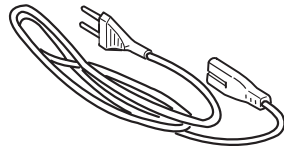
7 (Australia)



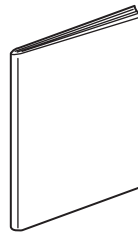
7 (UK)



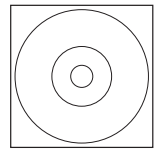
7 (Continental Europe)



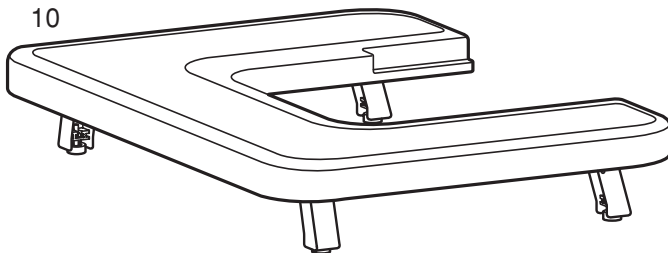
8



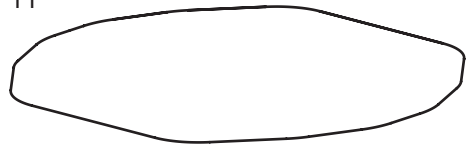
9



10



11



PARTS LIST

| KEY NO. | PARTS NO. | DESCRIPTION |
|------------|--------------|--------------------------------------|
| 1 | 864849001 | Embroidery Editor CD-ROM |
| 2 | 864849207 | Embroidery Editor Installation guide |
| 3 | 850403006 | USB cable |
| 4 | 864818001 | Quick reference chart (English) |
| | 864818012 | Quick reference chart (French) |
| | 864818023 | Quick reference chart (Dutch) |
| | 864818034 | Quick reference chart (German) |
| 5 | 864851006 | Instructional card (English) |
| 6 | 858801002 | Caution card |
| 7 | 856519004 | Power cable (U.S.A.) (Canada) |
| | 830314018 | Power cable (Australia) |
| | 830377008 | Power cable (UK) |
| | 830335004 | Power cable (Continental Europe) |
| 8 | 864800701 | Instruction book (English) |
| | 864800789 | Instruction book (French) |
| | 864800734 | Instruction book (Dutch) |
| | 864800745 | Instruction book (German) |
| 9 | 864848000 | Instructional DVD |
| 10 | 864805201 | Extra wide table |
| 11 | 864807007 | Dust cover |